

# COMFORT HEAT

## COMFORT WiFi THERMOSTAT

User-friendly **Comfort WiFi** thermostat allows you to control heating via a smartphone with a simple and intuitive App from anywhere around the world. **Connecting to the App SWATT takes seconds.** With the Comfort WiFi thermostat App, you can control the thermostat combined or individual heating zones. The App has multiple User Access and can control several residential houses or apartments. A **Comfort WiFi** thermostat is easily compatible with other producer's sensors. Smart, detailed energy consumption data allows you to manage your energy consumption. Each **Comfort WiFi** thermostat has built-in WiFi, which does not need any additional components such as gateways. The built-in wizard takes you simply through every single step, ensuring trouble-free commissioning.



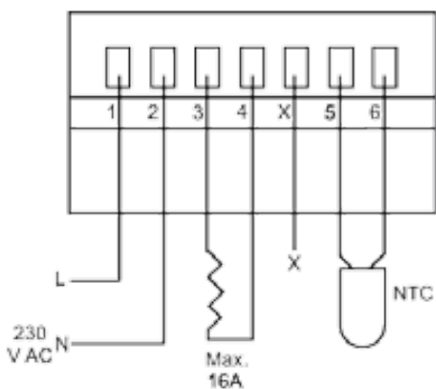
### TECHNICAL DATA

Voltage	100-230 V AC 50/60 Hz
Max load	16 A / 3600 W
ON / OFF switch	Built-in interrupter 2-pole
Control principle	PWM/PI
Standby mode energy consumption	< 0,5 W
Energy consumption and saved time memory	5 year
Wi-Fi	IEEE 802.11 b/g/n – 2.4GHz
Security	WPA/WPA2
Temperature range	+5°C ... +40°C
Sensor type	Floor (NTC) and room
Sensor resistance	14,8 kOhm / 20°C
Dimensions	84x84x40 mm
Protection class	IP21
Warranty	3 year

### PRODUCT LIST

Type	Temperature range	Sensor	Model	Stock code
Comfort WiFi White	+5°C ... +40°C	Floor and room, 3m	Elko	19115971
Comfort WiFi Black	+5°C ... +40°C	Floor and room, 3m	Elko	19115972

### WIRING DIAGRAM



#### Full control. Any time, anywhere.

Key features are:

- Trouble-free setup and use
- No Gateway required
- Redundant control - full control at the thermostat
- Full App control of
- Heating Zones
- Individual thermostats
- Heating schedules
- Support of Multiple User Access

#### Connecting to the app takes seconds.

The user-friendly Comfort Heat App SWATT offers detailed assistance on how to install and connect with the Comfort WiFi thermostat.

#### Key features are:

- Multiple languages for the highest user-friendliness
- Wizard guidance for trouble-free installation
- Integrated QR-reader for easiest connection with thermostats
- The full graphical user interfaces for ease of use.